

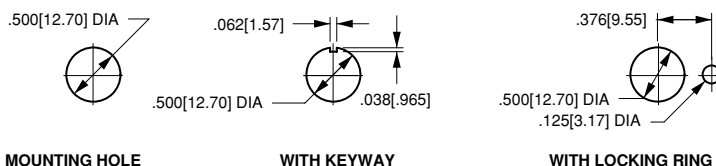
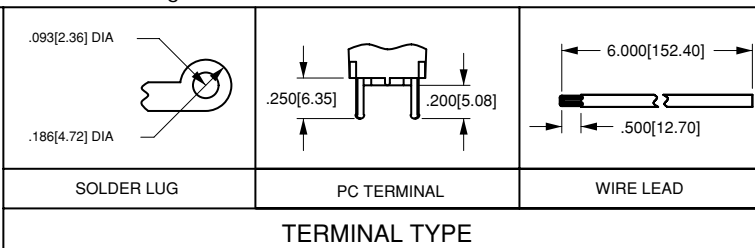
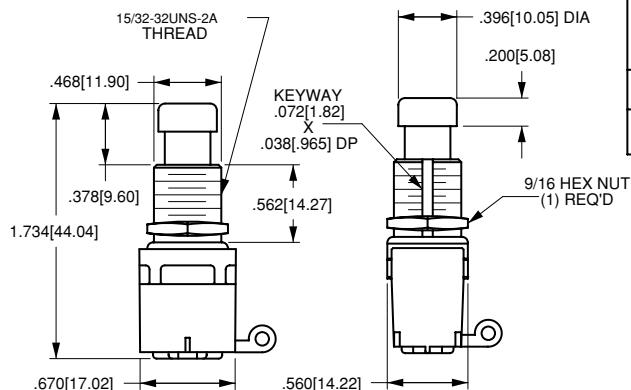
641/110P-Series Pushbutton Switches



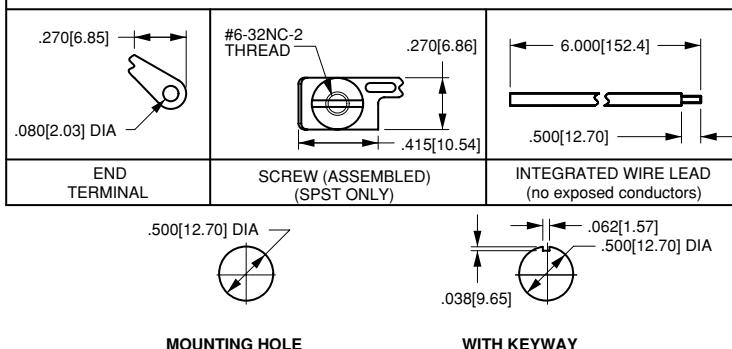
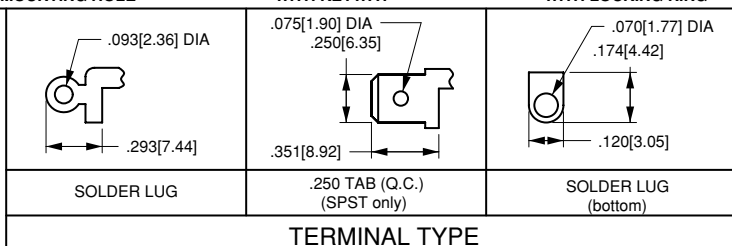
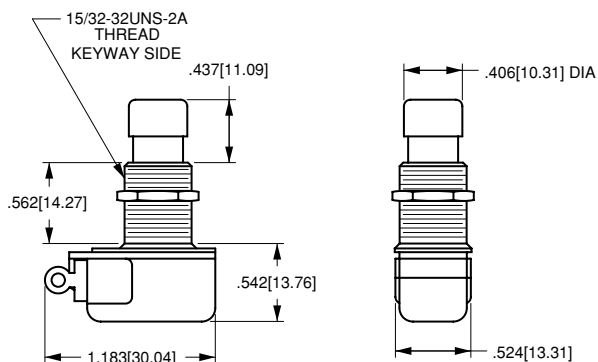
The single pole 110 and 641 series represent the most compact offerings of our pushbutton switch line. Rugged metal construction, self cleaning contacts and stiff actuation force (3-3 1/2 lbs. typical) have made these switches ideal for most "foot pedal" type applications. These alternate action switches fit a standard .500" mounting hole, have termination options including solder lug, wire lead and PC, and are popular within The Music Industry and Audio-visual market segments.

Dielectric Strength
UL/CSA: 1000V - live to dead metal & opposite polarity
Electrical Life
100,000 cycles
Mechanical Life
25,000 cycles
Operating Temperature
32°F to 185°F (0°C to +85°C)

641-Series Dimensional Specifications: in.[mm]



110-Series Dimensional Specifications: in.[mm]



64111210
1
Part Number

1 PART NUMBER: SERIES/ POLES/ RATING / CIRCUITRY/ TERMINATION
641-SERIES

<i>single pole</i>			<i>double pole</i>			
	2A 250VAC	5A 125VAC		2A 250VAC	5A 125VAC	
	solder lug	PC term	wire leads	solder lug	PC term	wire leads
	6411210	6411212	6411215	ON-OFF 6412210	6412212	6412215
	6411220	6411222	6411225	ON-ON 6412220	6412222	6412225

110-SERIES

single pole 3A 250VAC, 6A 125VAC, AC/DC

	solder lug	solder lug (btm)	screw term	wire lead	.250 tab
ON-OFF	110-P	110-BP	110-SP	111-16-P	110-P-TABS
OFF-(ON)	110-PM-OFF	110-PBM-OFF	110-SPM-OFF	111-PM-OFF	110-PM-OFF-TABS
ON-(OFF)	110-PM-ON	110-PBM-ON	110-SPM-ON	111-PM-ON	110-PM-ON-TABS

NOTE: () - indicates momentary function.